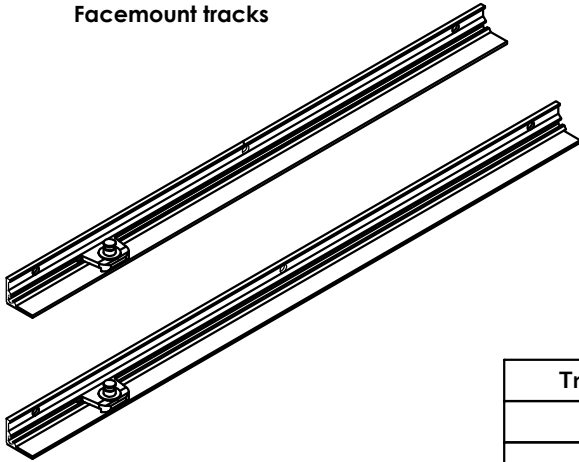


WINDOW HARDWARE

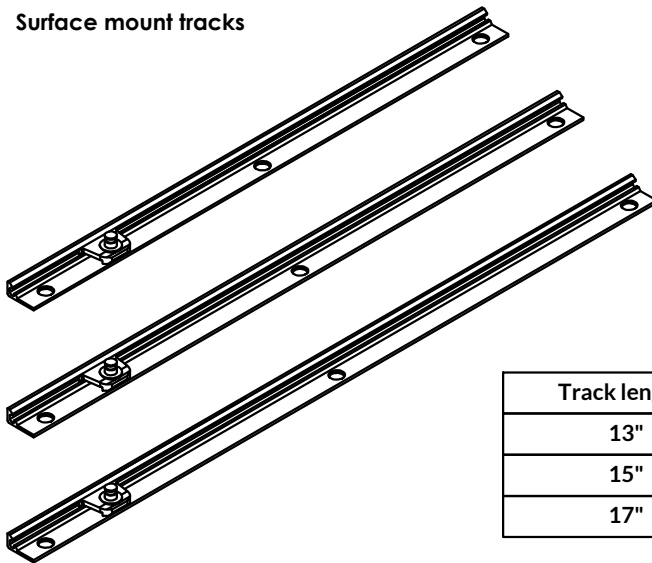
OPERATORS FOR CASEMENT WINDOWS SERIES OP06 - Tracks

Facemount tracks



Track lengths	# Part
13"	B5-22-TRA13-23
15"	B5-22-TRA15-23

Surface mount tracks



Track lengths	# Part
13"	B5-22-TRAS13-23
15"	B5-22-TRAS15-23
17"	B5-22-TRAS17-23

Your best fenestration hardware and accessories resource

1 800 870-6692

info@servitek.ca

Servitek
FENESTRATION

QB-07

R72e