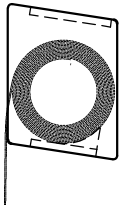
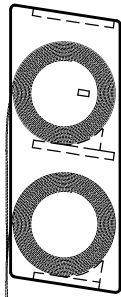
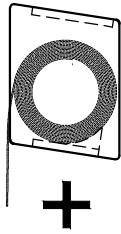
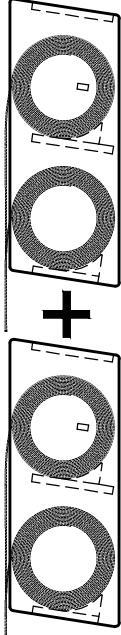


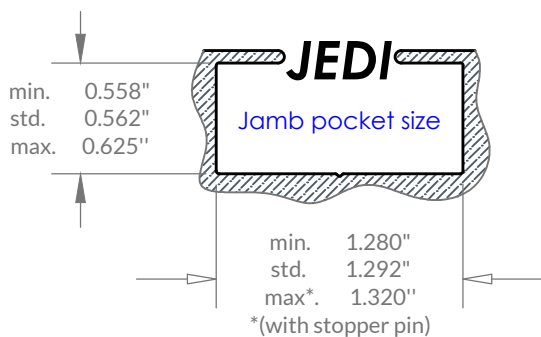
WINDOW HARDWARE

CONSTANT FORCE BALANCES

JEDI (John Evans)

Force (lbs)	Carrier	# Part number	
3		G1-32-RSA03-00	
4		G1-32-RSA04-00	
5		G1-32-RSA05-00	
6		G1-32-RSA06-00	
7		G1-32-RSA07-00	
8		G1-32-RSA08-00	
9		G1-32-RSA09-00	
10		G1-32-RSA10-00	
11			G1-32-RSA11-00
12			G1-32-RSA12-00
13	G1-32-RSA13-00		
14	G1-32-RSA14-00		
15	G1-32-RSA15-00		
16	G1-32-RSA16-00		
17	G1-32-RSA17-00		
18	G1-32-RSA18-00		
19	G1-32-RSA19-00		
20	G1-32-RSA20-00		

Force (lbs)	Carrier	# Part numbers
21		G1-32-RSA05-00 + G1-32-RSA16-00
22		G1-32-RSA06-00 + G1-32-RSA16-00
23		G1-32-RSA07-00 + G1-32-RSA16-00
24		G1-32-RSA08-00 + G1-32-RSA16-00
25		G1-32-RSA09-00 + G1-32-RSA16-00
26		G1-32-RSA08-00 + G1-32-RSA18-00
27		G1-32-RSA09-00 + G1-32-RSA18-00
28		G1-32-RSA10-00 + G1-32-RSA18-00
29		G1-32-RSA09-00 + G1-32-RSA20-00
30		G1-32-RSA10-00 + G1-32-RSA20-00
31		G1-32-RSA15-00 + G1-32-RSA16-00
32		G1-32-RSA16-00 + G1-32-RSA16-00
33		G1-32-RSA16-00 + G1-32-RSA17-00
34		G1-32-RSA16-00 + G1-32-RSA18-00
35		G1-32-RSA17-00 + G1-32-RSA18-00
36		G1-32-RSA18-00 + G1-32-RSA18-00
37		G1-32-RSA18-00 + G1-32-RSA19-00
38		G1-32-RSA19-00 + G1-32-RSA19-00
39		G1-32-RSA19-00 + G1-32-RSA20-00
40		G1-32-RSA20-00 + G1-32-RSA20-00



Your best fenestration hardware and accessories resource

1 800 870-6692

info@servitek.ca

Servitek
FENESTRATION