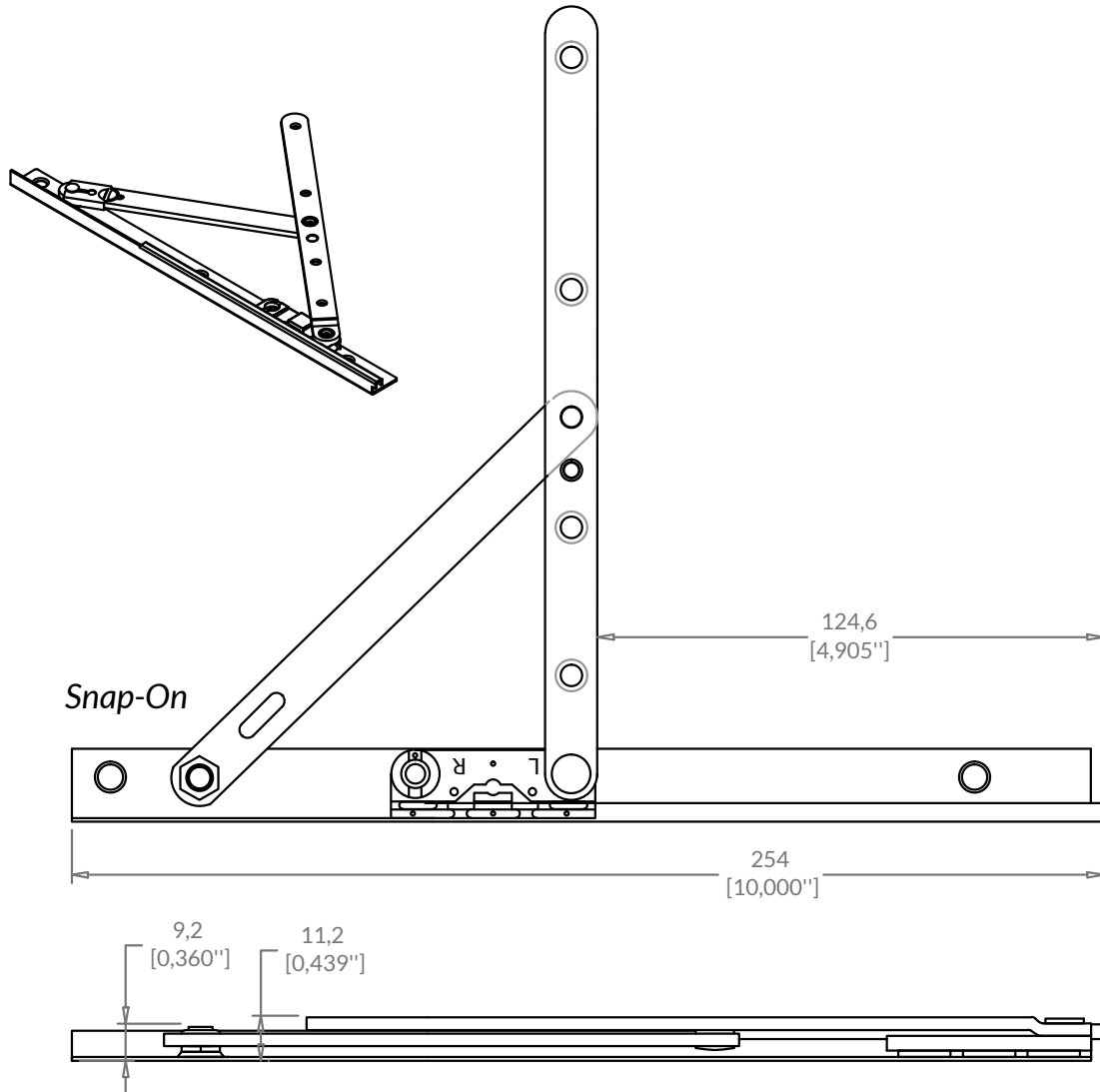


WINDOW HARDWARE

HINGES

Standard adjustable 10"



Standard adjustable hinges 10" - Snap-On		
Material	Left	Right
Painted steel	B1-35-10AL-15	B1-35-10SAR-15
SS430	B1-35-10SAL-20	B1-35-10SAR-20
SS304	B1-35-10SAL-99	B1-35-10SAR-99

Your best fenestration hardware and accessories resource

R72

1 800 870-6692

info@servitek.ca

Servitek
FENESTRATION

FP-02