

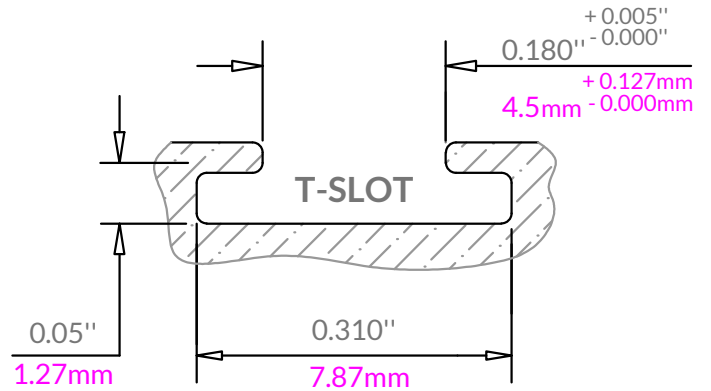
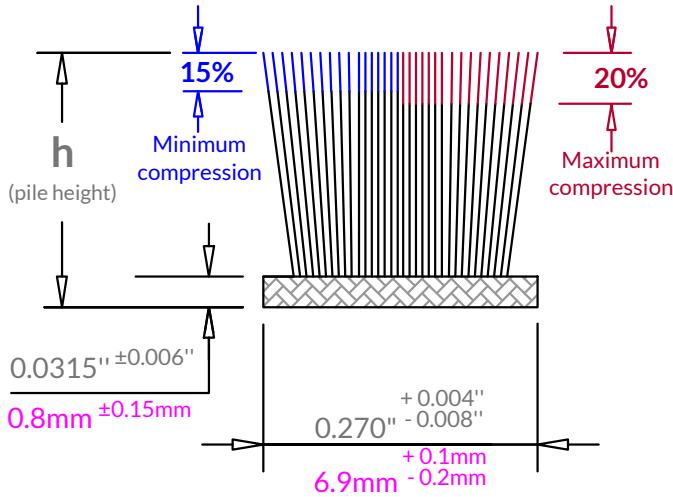
WEATHER SEALS

PILE

Polybond (PB) - Backing width of 0.270"

Supplier CL

If pile height (h) is	Tolerances
< 0.315" [<8mm]	± 0.010" [±0.25mm]
≥ 0.315" [≥8mm]	± 0.020" [±0.5mm]



Servitek Number Example

CL-PB-250270-WH

- WH (white)
- GY (grey)
- BK (black)

270 = 0.270" (backing width)

250 = 0.250" (pile height)

Standard sizes

Polybond(PB)-Backing width of 0.270"
Grey
CL-PB-130270-GY
CL-PB-160270-GY
CL-PB-200270-GY
CL-PB-250270-GY
CL-PB-350270-GY
CL-PB-450270-GY

Materials:

Base => Translucent polypropylene

Pile => Silicone treated polypropylene

Your best fenestration hardware and accessories resource

1 800 870-6692

info@servitek.ca

Servitek
FENESTRATION