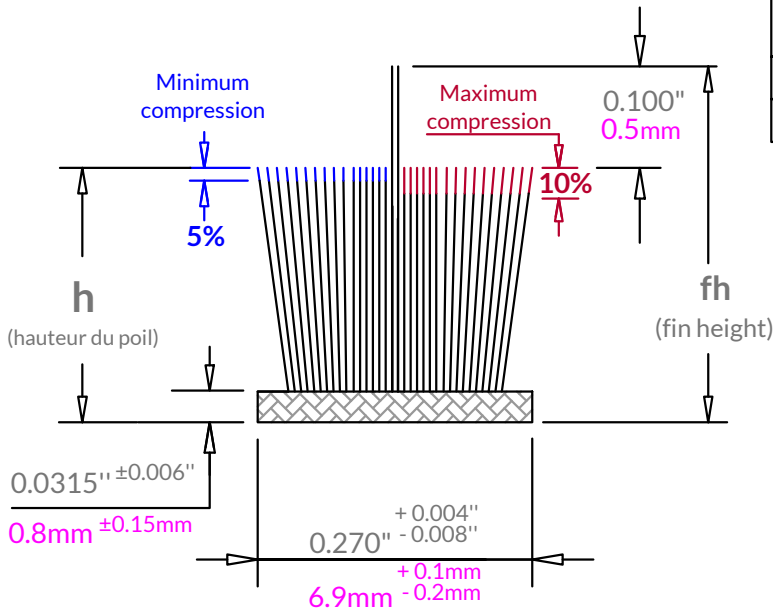


WEATHER SEALS

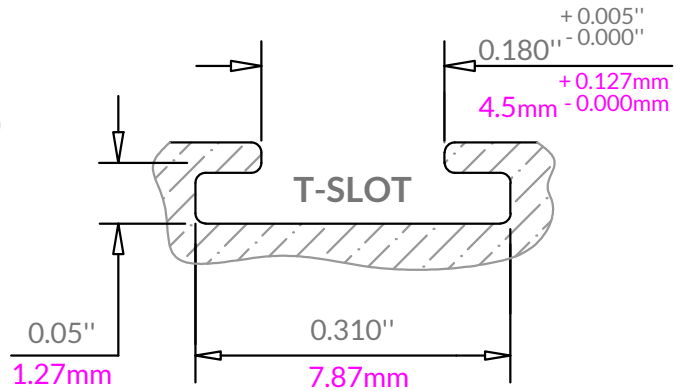
PILE

High Fin (HF) - Backing width of 0.270"

Supplier CL



If pile height (h) is	If fin height (fh) is	Tolerances
< 0.315" [<8mm]	< 0.315" [<8mm]	± 0.010" [±0.25mm]
≥ 0.315" [≥8mm]	≥ 0.315" [≥8mm]	± 0.020" [±0.5mm]



Servitek Number Example

CL-HF-250270-WH

- WH (white)
- GY (grey)
- BK (black)

270 = 0.270" (backing width)

250 = 0.250" (pile height)

Standard sizes

High Fin (HF) - Backing width of 0.270"
Grey
CL-HF-130270-GY
CL-HF-160270-GY
CL-HF-240270-GY

Materials:

Base => Translucent polypropylene

Pile => Silicone treated polypropylene

Fin => Translucent polypropylene

Your best fenestration hardware and accessories resource

1 800 870-6692

info@servitek.ca

Servitek
FENESTRATION